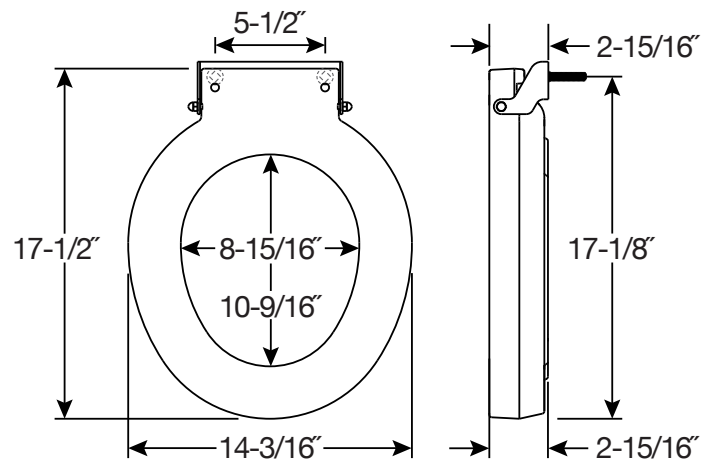


HEAVY-DUTY PLASTIC LIFT FOR TOILET SEAT



FEATURES:

- **STA-TITE® Commercial Fastening System™**
Eliminates callbacks for loosened seats
- **Blow-Molded Plastic Riser ***
Provides 4" of additional height above rim once seat is installed

** It is recommended that only residential toilet seats be installed on lift/riser.*

SPECIFICATIONS:

Size: Round

Material: Plastic

Style: Lift / Riser (seat sold separately)

Ring Bumpers: Four

Hinges: Non-Corroding 300 Series Stainless Steel Mounting Bracket

Hardware: STA-TITE® Commercial Fastening System™



Proudly Made in the USA

Eco-Friendly

