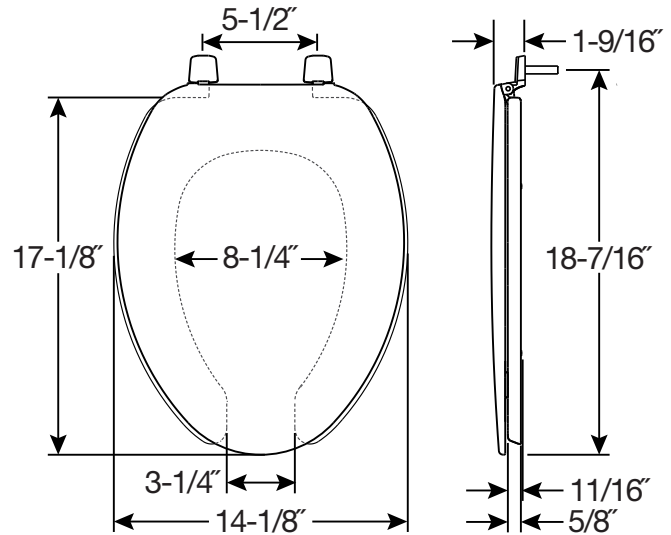


COMMERCIAL PLASTIC TOILET SEAT



FEATURES:

- **Top-Tite® Hinges**
Seat installs easily from above the bowl

SPECIFICATIONS:

- Size:** Elongated
- Material:** Plastic
- Style:** Open Front with Cover
- Ring Bumpers:** Four
- Hinges:** Plastic
- Hardware:** Non-Corroding Hex-Tite™ Bolts and Wing Nuts

Codes & Standards:  Complies with IAPMO/ANSI Z124.5 Performance Standards Heavy-Duty Commercial

