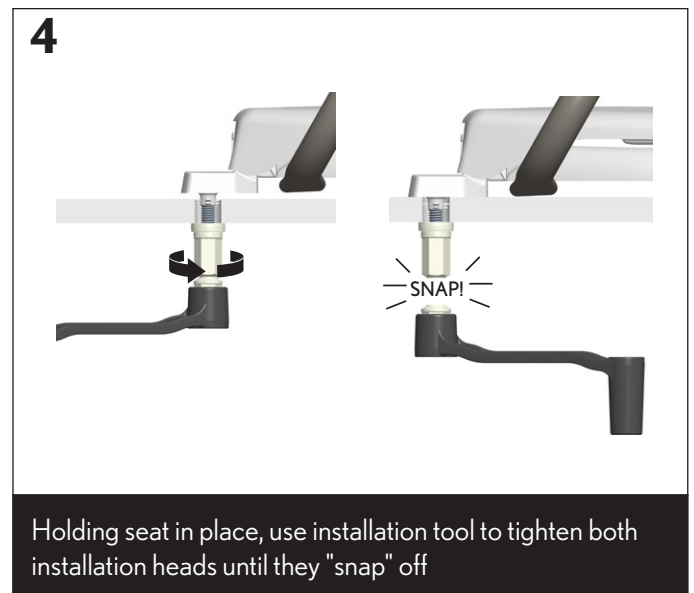
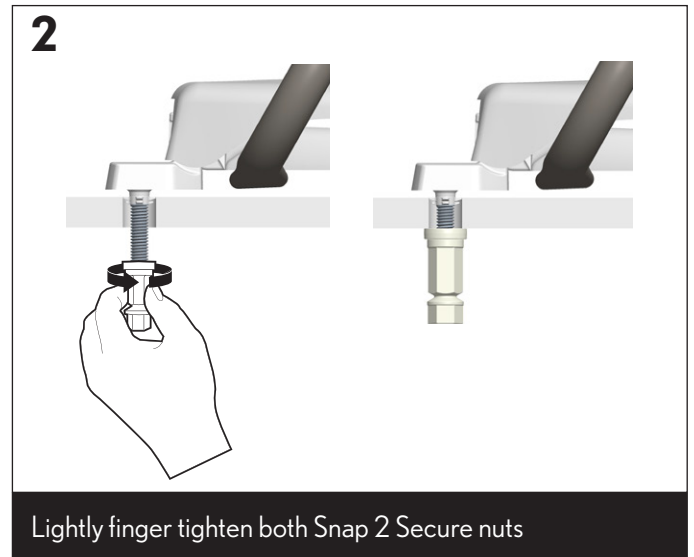
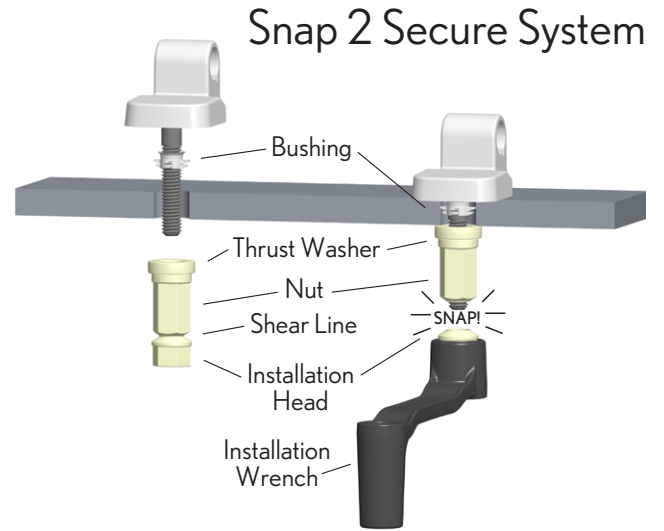
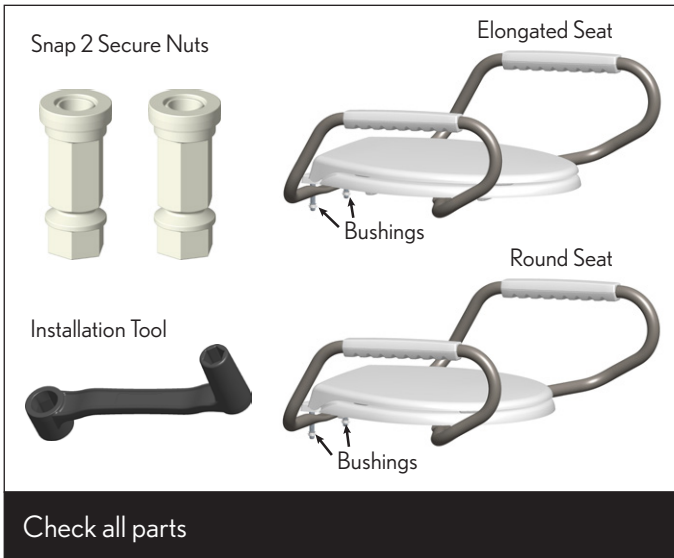


Hinged Seat with Support Arms Installation Instructions

1B5998170



Seat Removal: Turn nut clockwise with installation tool

Lifetime Warranty

Bemis warrants to the original purchaser that all Bemis Independence products are free from defects in material and workmanship for the life of the product. This warranty does not cover damage caused by misuse, normal wear and tear or failing to follow manufacturer instructions (including recommended cleaning practices), unauthorized modifications or improper installation.

To submit a warranty claim, please contact your dealer. Please DO NOT return any product to us Bemis without prior consent. If you have questions, please feel free to give us a call!

Customer Care: 1-833-431-1703

BemisIndependence.com

300 Mill Street

Sheboygan Falls, WI 53085

THIS LIMITED LIFETIME WARRANTY IS EXCLUSIVE AND IN LIEU OF ALL OTHER WARRANTIES, EXPRESS OR IMPLIED, INCLUDING THE IMPLIED WARRANTIES OF MERCHANTABILITY AND FITNESS FOR A PARTICULAR PURPOSE. BEMIS' LIABILITY UNDER THIS WARRANTY SHALL NOT EXCEED THE PURCHASE PRICE OF THE PRODUCT.

Seat Cleaning Instructions

- Toilet seats should be cleaned using a mild soap and water... antibacterial hand soap or dish soap can be used
- DO NOT use abrasive cleaners! Abrasive cleaners will scuff and/or scratch plastic toilet seats
- Chemical cleaners are not recommended, but if used, thoroughly wipe down the seat and hinges to remove all cleaner residue