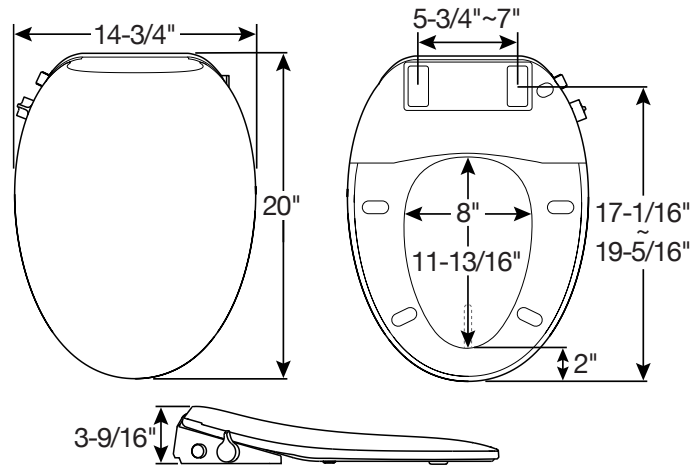




HAVEN 2000™ HV2000E

ELECTRIC BIDET TOILET SEAT



Dual Nozzle



Heated Seat



Unlimited Warm Water



Warm Air Dryer



Comfort Control Knob



Stay-Tite®



Whisper-Close®

FEATURES:

- Dual Nozzle
- Heated Seat
- Unlimited Warm Water
- Warm Air Dryer
- Comfort Control Knob
- Stay-Tite®
- Whisper-Close®

SPECIFICATIONS:

Size: Elongated

Material: Polypropylene

Style: Closed Front with Cover

Ring Bumpers: Four

Hinges: Plastic

Hardware: Stay-Tite® Seat Fastening System™

Power Rating: AC 120V, 60 Hz, 1050W, 8.75 amps *

Power Cord Length: 48"

Bidet Water Hose Length: 17.25"

Power Requirement: GFCI Outlet

Codes & Standards:



Complies with IAPMO/ANSI Z124.5 Standards Residential Classification



* Recommended 15 amp circuit