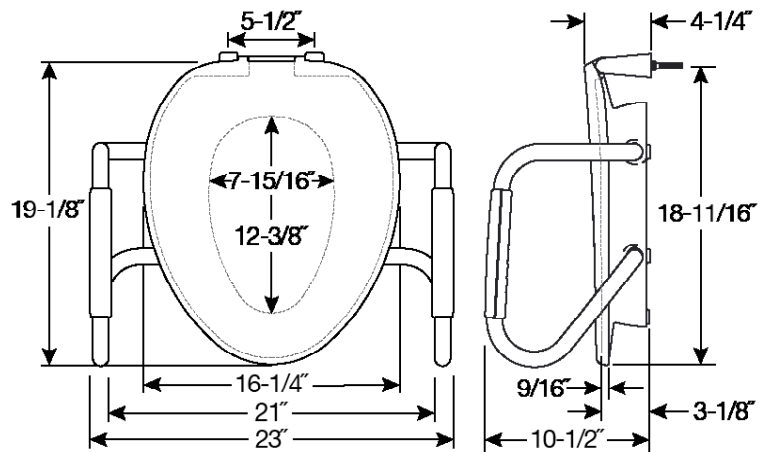




# ASSURANCE™ E85320H20 ARM

3" PREMIUM RAISED TOILET SEAT  
+ SUPPORT ARMS + BIDET ATTACHMENT



## FEATURES:

- **3" Raised Seat**  
Assists with sitting and standing
- **Support Arms**  
Reduce strains and falls
- **Bidet Attachment**  
Non-electric, simple twist knob  
adjusts water pressure
- **Stay-Tite™ Commercial Fastening System™**  
Never loosens. Guaranteed.
- **Clean•Shield™**  
Keeps everything in the bowl
- **Residential Appearance**  
Blends with home interiors
- **Heavy-Duty Oversized Ring**  
For comfort and support
- **Self-Sustaining Check Hinges**  
Keeps seat upright for standing use or  
cleaning, without slamming

## SPECIFICATIONS:

**Size:** Elongated

**Material:** Plastic

**Style:** Closed Front with Cover

**Ring Bumpers:** Four

**Hinges:** Plastic Self-Sustaining Check Hinges with  
Non-Corroding 300 Series Stainless Steel Posts & Pintles

**Hardware:** Stay-Tite™ Commercial Fastening System™

**Seat Capacity:** 1,000 lbs \* | 21" between bars

**Support Arm Capacity:** 350 lbs each

**Codes & Standards:**  Complies with  
IAPMO/ANSI Z124.5  
Performance Standards  
Heavy-Duty Commercial

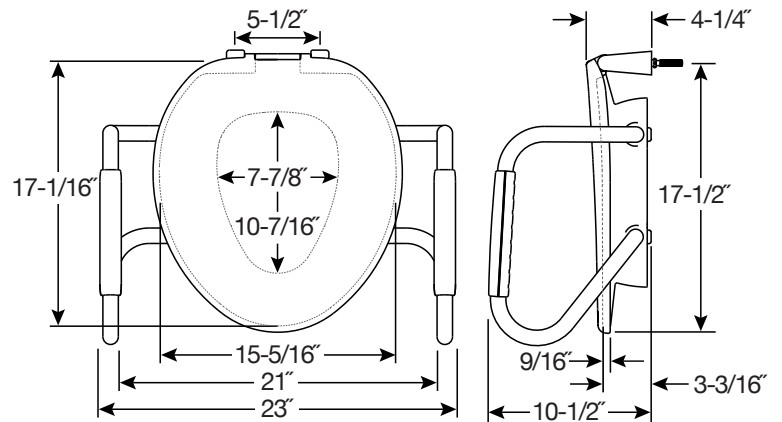
\* Always check the load-bearing weight of the water closet.





# ASSURANCE™ R85320H20 ARM

3" PREMIUM RAISED TOILET SEAT  
+ SUPPORT ARMS + BIDET ATTACHMENT



## FEATURES:

- **3" Raised Seat**  
Assists with sitting and standing
- **Support Arms**  
Reduce strains and falls
- **Bidet Attachment**  
Non-electric, simple twist knob  
adjusts water pressure
- **Stay-Tite™ Commercial Fastening System™**  
Never loosens. Guaranteed.
- **Clean•Shield™**  
Keeps everything in the bowl
- **Residential Appearance**  
Blends with home interiors
- **Heavy-Duty Oversized Ring**  
For comfort and support
- **Self-Sustaining Check Hinges**  
Keeps seat upright for standing use or  
cleaning, without slamming

## SPECIFICATIONS:

**Size:** Round

**Material:** Plastic

**Style:** Closed Front with Cover

**Ring Bumpers:** Four

**Hinges:** Plastic Self-Sustaining Check Hinges with  
Non-Corroding 300 Series Stainless Steel Posts & Pintles

**Hardware:** Stay-Tite™ Commercial Fastening System™

**Seat Capacity:** 1,000 lbs \* | 21" between bars

**Support Arm Capacity:** 350 lbs each

**Codes & Standards:**  Complies with  
IAPMO/ANSI Z124.5  
Performance Standards  
Heavy-Duty Commercial

\* Always check the load-bearing weight of the water closet.

