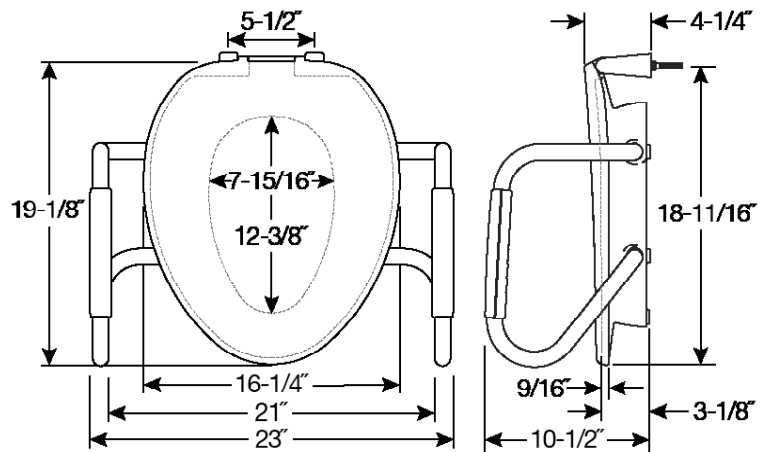
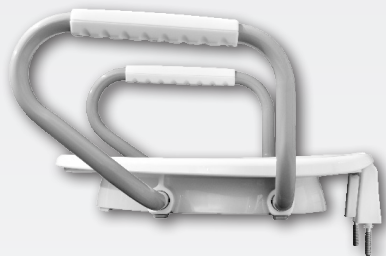
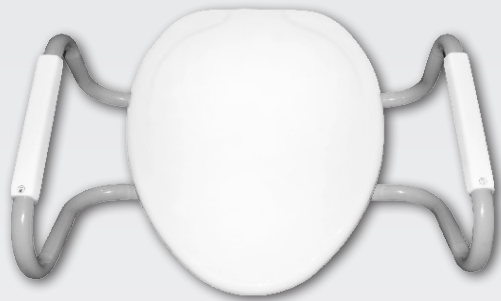




ASSURANCE™ E85320ARM

3" PREMIUM RAISED TOILET SEAT WITH
CLEAN·SHIELD™ + SUPPORT ARMS



FEATURES:

- **3" Raised Seat**
Assists with sitting and standing
- **Support Arms**
Reduce strains and falls
- **Stay-Tite™ Commercial Fastening System™**
Never loosens. Guaranteed.
- **Clean•Shield™**
Keeps everything in the bowl
- **Residential Appearance**
Blends with home interiors
- **Heavy-Duty Oversized Ring**
For comfort and support
- **Self-Sustaining Check Hinges**
Keeps seat upright for standing use or cleaning, without slamming

SPECIFICATIONS:

Size: Elongated

Material: Plastic

Style: Closed Front with Cover

Ring Bumpers: Four

Hinges: Plastic Self-Sustaining Check Hinges with Non-Corroding 300 Series Stainless Steel Posts & Pintles

Hardware: Stay-Tite™ Commercial Fastening System™

Seat Capacity: 1,000 lbs * | 21" between bars

Support Arm Capacity: 350 lbs each

Codes & Standards:



Complies with
IAPMO/ANSI Z124.5
Performance Standards
Heavy-Duty Commercial

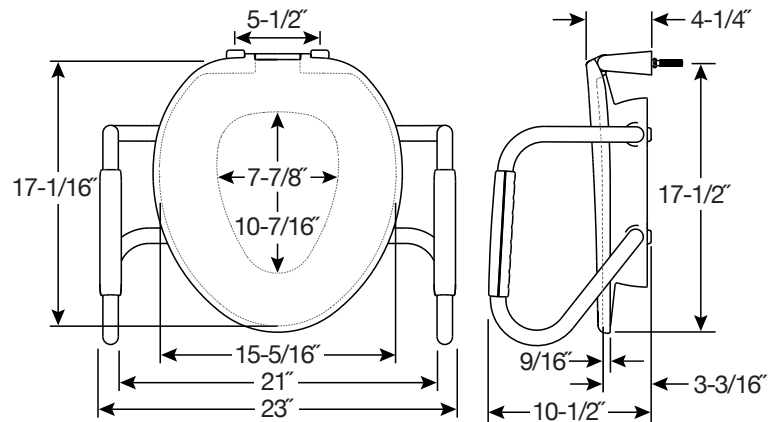
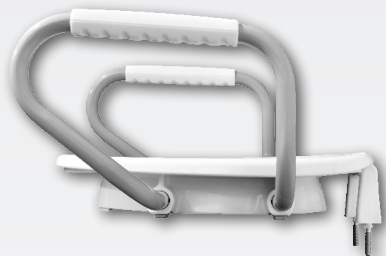
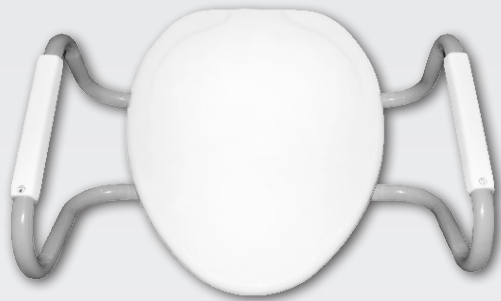
* Always check the load-bearing weight of the water closet.





ASSURANCE™ R85320ARM

3" PREMIUM RAISED TOILET SEAT WITH
CLEAN·SHIELD™ + SUPPORT ARMS



FEATURES:

- **3" Raised Seat**
Assists with sitting and standing
- **Support Arms**
Reduce strains and falls
- **Stay-Tite™ Commercial Fastening System™**
Never loosens. Guaranteed.
- **Clean•Shield™**
Keeps everything in the bowl
- **Residential Appearance**
Blends with home interiors
- **Heavy-Duty Oversized Ring**
For comfort and support
- **Self-Sustaining Check Hinges**
Keeps seat upright for standing use or cleaning, without slamming

SPECIFICATIONS:

Size: Round

Material: Plastic

Style: Closed Front with Cover

Ring Bumpers: Four

Hinges: Plastic Self-Sustaining Check Hinges with Non-Corroding 300 Series Stainless Steel Posts & Pintles

Hardware: Stay-Tite™ Commercial Fastening System™

Seat Capacity: 1,000 lbs * | 21" between bars

Support Arm Capacity: 350 lbs each

Codes & Standards:



Complies with
IAPMO/ANSI Z124.5
Performance Standards
Heavy-Duty Commercial

* Always check the load-bearing weight of the water closet.

