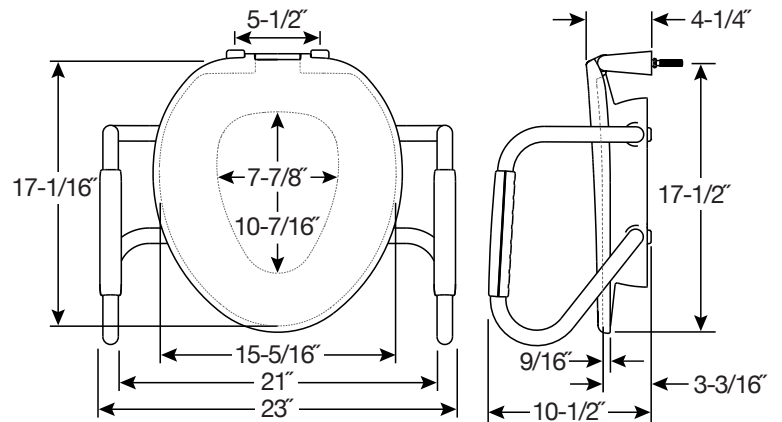
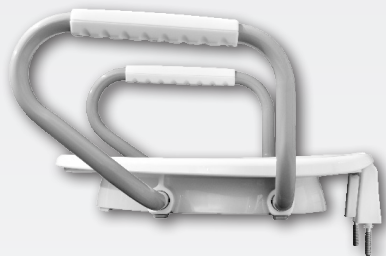
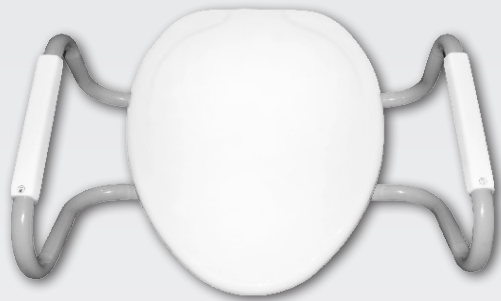




# ASSURANCE™ R85320ARM

3" PREMIUM RAISED TOILET SEAT WITH  
CLEAN·SHIELD™ + SUPPORT ARMS



## FEATURES:

- **3" Raised Seat**  
Assists with sitting and standing
- **Support Arms**  
Reduce strains and falls
- **Stay-Tite™ Commercial Fastening System™**  
Never loosens. Guaranteed.
- **Clean•Shield™**  
Keeps everything in the bowl
- **Residential Appearance**  
Blends with home interiors
- **Heavy-Duty Oversized Ring**  
For comfort and support
- **Self-Sustaining Check Hinges**  
Keeps seat upright for standing use or cleaning, without slamming

## SPECIFICATIONS:

**Size:** Round

**Material:** Plastic

**Style:** Closed Front with Cover

**Ring Bumpers:** Four

**Hinges:** Plastic Self-Sustaining Check Hinges with Non-Corroding 300 Series Stainless Steel Posts & Pintles

**Hardware:** Stay-Tite™ Commercial Fastening System™

**Seat Capacity:** 1,000 lbs \* | 21" between bars

**Support Arm Capacity:** 350 lbs each

**Codes & Standards:**



Complies with  
IAPMO/ANSI Z124.5  
Performance Standards  
Heavy-Duty Commercial

\* Always check the load-bearing weight of the water closet.

