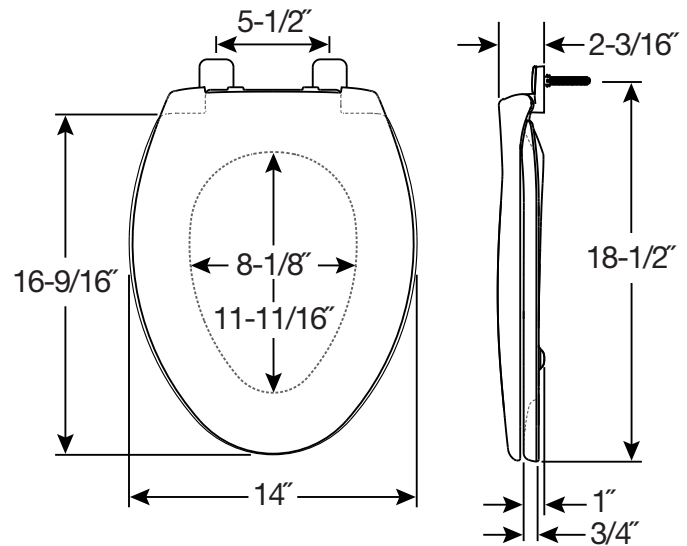




KENNAN™ 1100E2

RESIDENTIAL PLASTIC TOILET SEAT



FEATURES:

- **STA-TITE®**
Seat Fastening System™
Never Loosens™
- **Whisper•Close®**
Slowly and quietly closes
- **Super Grip Bumpers™**
Provides greater stability

SPECIFICATIONS:

- Size:** Elongated
- Material:** Plastic
- Style:** Closed Front with Cover
- Ring Bumpers:** Two
- Hinges:** Plastic
- Hardware:** STA-TITE® Seat Fastening System™

Codes & Standards:



Complies with
IAPMO/ANSI Z124.5
Standards
Residential Classification

